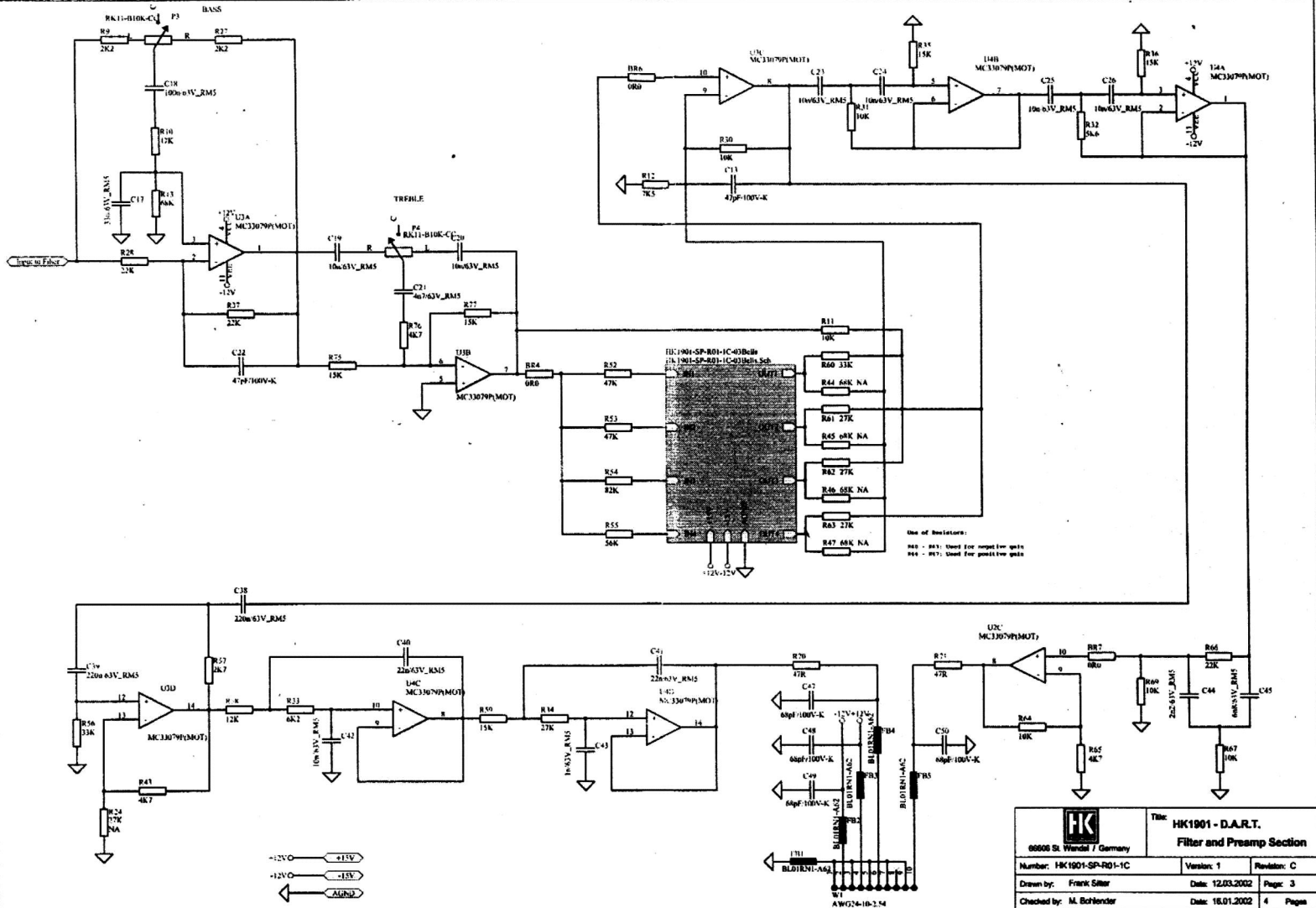
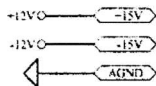
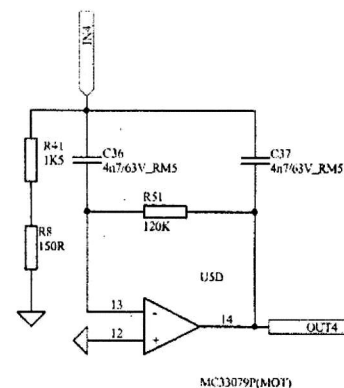
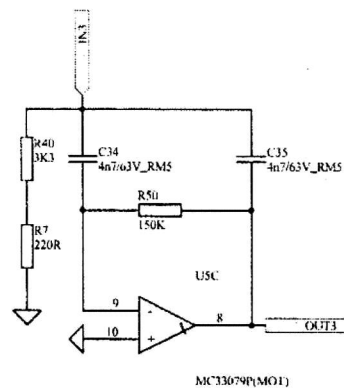
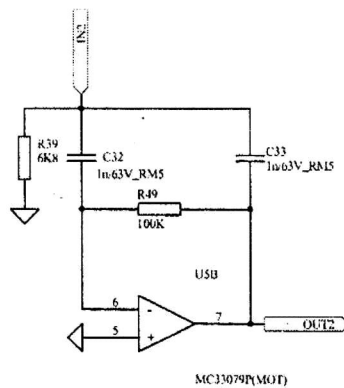
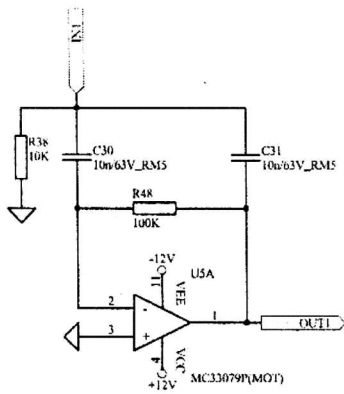



<b>HK</b>	Title: <b>HK1901 D.A.R.T. Input Section</b>	
	6000 St. Wendel / Germany	
Number: <b>HK1901-SP-R01-1C</b>	Version: <b>1</b>	Revision: <b>C</b>
Drawn by: <b>F.Silber</b>	Date: <b>12.03.2002</b>	Page: <b>2</b>
Checked by: <b>None</b>	Date: <b>01.01.2001</b>	4 Pages
Material:	Surface:	
Filename: <b>HK1901-SP-R01-1C-01Input.Bch</b>		

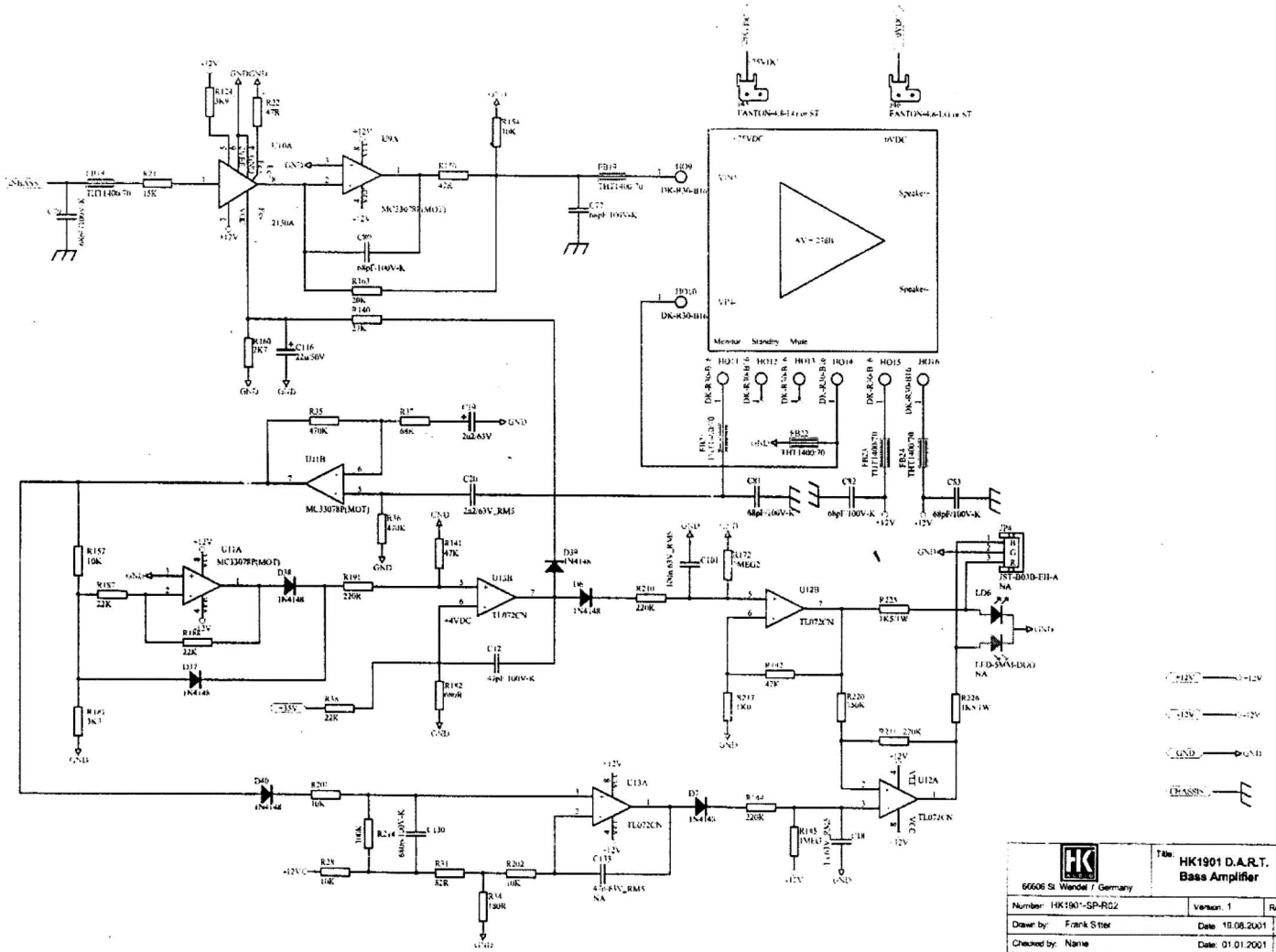


<b>HK</b>	Title: <b>HK1901 - D.A.R.T.</b>		
	Filter and Preamp Section		
66606 St. Wendel 7 Germany			
Number: <b>HK1901-SP-RD1-1C</b>	Version: <b>1</b>	Revision: <b>C</b>	
Drawn by: <b>Frank Siller</b>	Date: <b>12.03.2002</b>	Page: <b>3</b>	
Checked by: <b>M. Böhler</b>	Date: <b>18.01.2002</b>	4 Pages	
Material:	Surface:		
Filename: <b>HK1901-SP-RD1-1C-02Pflus.Sch</b>			



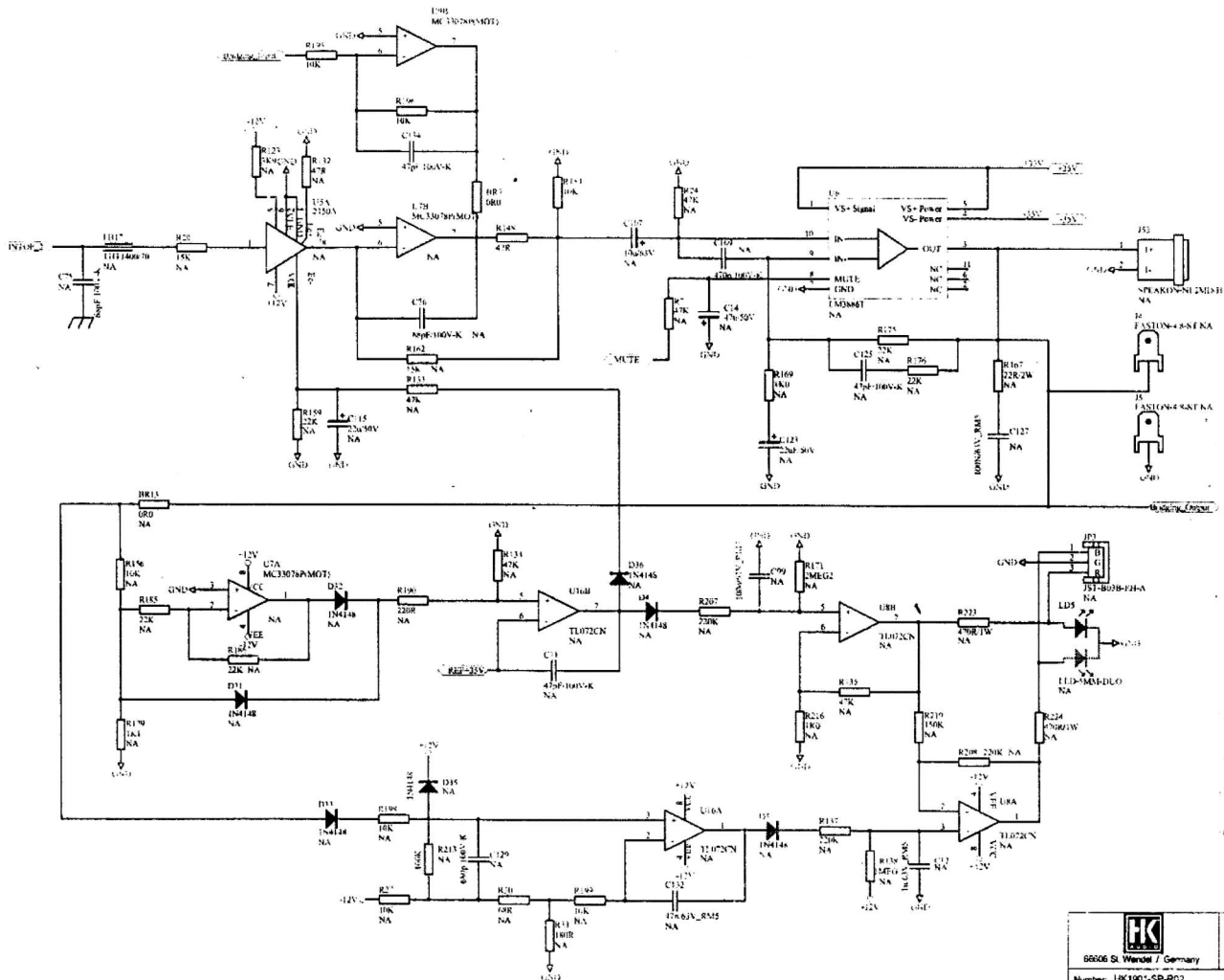
All rights reserved. No part of this schematic may be reproduced, stored in a retrieval system, transmitted in any form or by any means, electronic, mechanical, photocopying, recording or otherwise, without the prior permission of the author.


		Title: <b>HK1901 - D.A.R.T.</b>	
		66606 SL Wendel / Germany	
Number: HK1901-SP-R01-1C		Version: 1	Revision: C
Drawn by: M.Bohlender		Date: 15.02.2002	Page: 4
Checked by: F.Sitter		Date: 12.03.2002	4 Pages
Material:		Surface:	
Filename: HK1901-SP-R01-1C-03Bells.Sch			

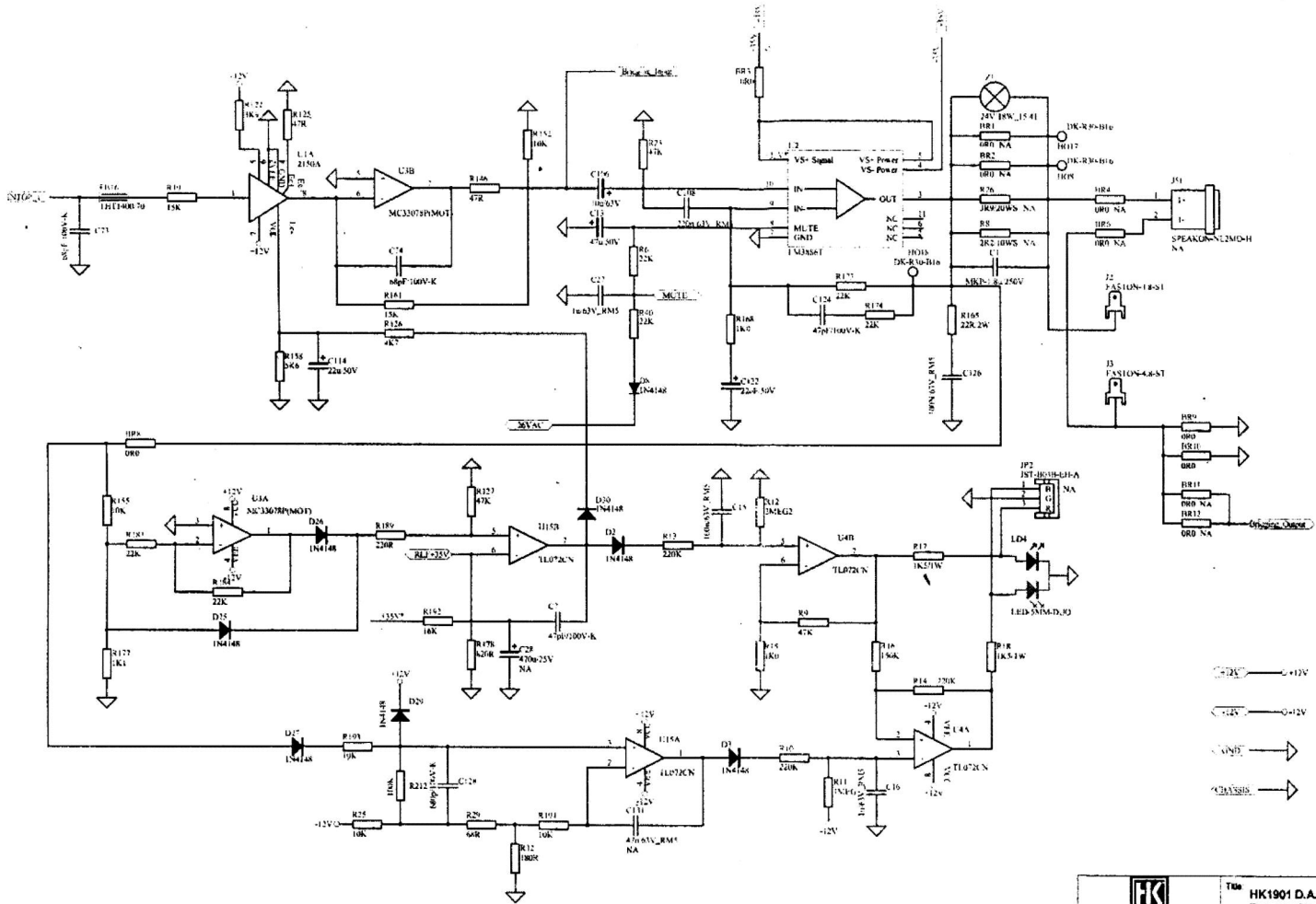


<b>HK</b>		Title: <b>HK1901 D.A.R.T. Bass Amplifier</b>	
60606 St. Wendel / Germany		Version: 1	Revision: E
Number: HK1901-SP-R02		Date: 10.08.2001	Page: 4
Drawn by: Frank Sitar		Date: 01.01.2001	5 Pages
Checked by: Name		Date:	
Material:		Surface:	
Filename: Bass_Amplifier_Sch			

All rights reserved. No part of this schematic may be reproduced, stored in a retrieval system, transmitted in any form or by any means, electronic, mechanical, photocopying, recording or otherwise, without the prior permission of the author.

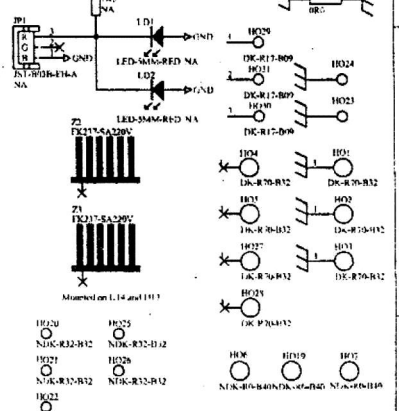
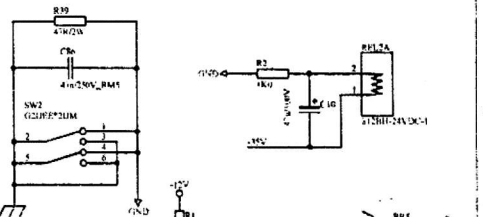
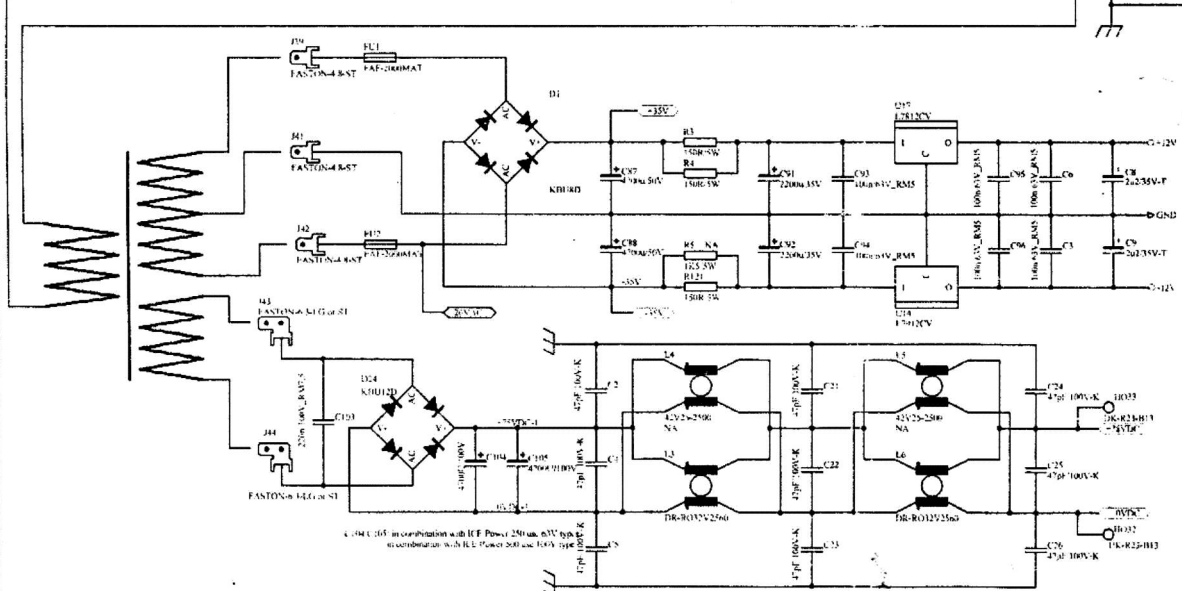
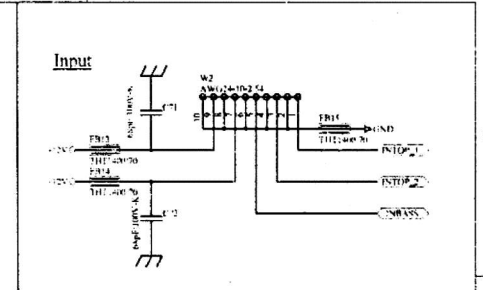
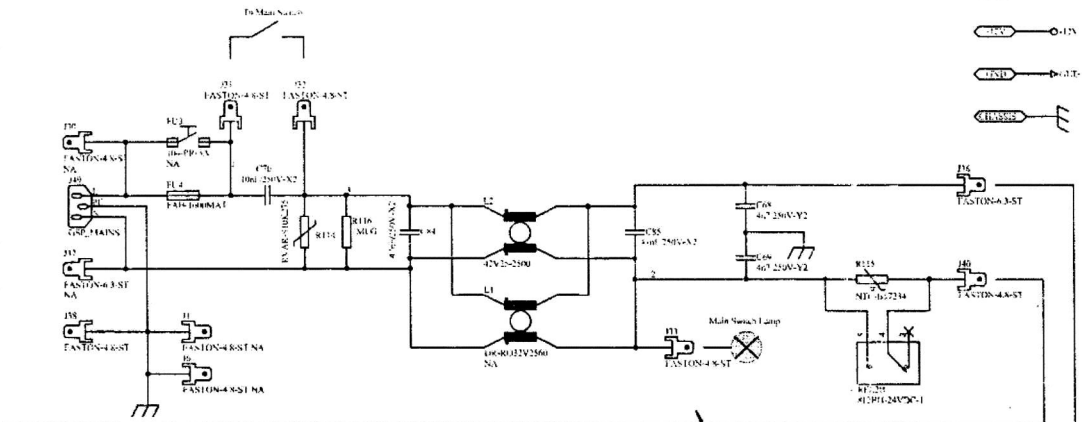


		<b>Typ: HK1901 D.A.R.T.</b> <b>Top Amplifier 2</b>	
		86006 St. Wendel 7, Germany	
Number: 1BK1901-SP-R02	Version: 1	Revision: E	
Drawn by: Frank Sittler	Date: 19.08.2002	Page: 3	
Checked by: Name	Date: 01.01.2001	S. Pages	
Material	Surface		
Filename: Top_Amplifier_2.Sch			



		Title <b>HK1901 D.A.R.T.          Top Amplifier 1</b>	
		66606 St. Wendel / Germany	
Number HK1901-SP-R02	Version 1	Revision E	
Drawn by Frank Sitar		Date 19.08.2002	Page 2
Checked by Name		Date 01.01.2001	Page 5
Material Surface			
Filename: Top_Amplifier_1.Sch			

All rights reserved. No part of this schematic may be reproduced, stored in a retrieval system, transmitted in any form or by any means, electronic, mechanical, photocopying, recording or otherwise, without the prior permission of the author.



		<b>HK1901 D.A.R.T.</b> <b>Input Power Supply</b>	
68608 St. Wenzel / Germany			
Number: HK2001-SP-R02	Version 1	Revision: E	
Drawn by: Frank Sitzer	Date: 19.08.2002	Page: 5	
Checked by: Name	Date: 01.01.2001	5 Pages	
Material:	Surface:		
Filename: Input_Power_Supply_Sch			

All rights reserved. No part of this document may be reproduced, stored in a retrieval system, transmitted in any form or by any means, electronic, mechanical, photocopying, recording, or otherwise, without the prior permission of the HK.